

## **Installation Instructions For Aleddra's Emergency G4 (3CCT) LED T8 lamps**

**WARNING - RISK OF FIRE OR ELECTRIC SHOCK. LUMINAIRE WIRING, BALLASTS, OR OTHER ELECTRICAL PARTS MAY BE DAMAGED WHEN DRILLING OR INSTALLATION OF REFLECTOR. CHECK FOR ENCLOSED WIRING AND COMPONENTS.**

**WARNING - RISK OF FIRE OR ELECTRIC SHOCK. RETROFIT KIT INSTALLATION REQUIRES KNOWLEDGE OF FLUORESCENT LIGHTING LUMINAIRE ELECTRICAL SYSTEMS. IF NOT QUALIFIED, DO NOT ATTEMPT INSTALLATION. CONTACT A QUALIFIED ELECTRICIAN.**

**WARNING - RISK OF FIRE OR ELECTRIC SHOCK. INSTALL THIS KIT ONLY IN THE LUMINAIRE THAT HAVE THE CONSTRUCTION FEATURES AND DIMENSIONS SHOWN IN THE DRAWINGS.**

**WARNING - TO PREVENT WIRING DAMAGE OR ABRASION, DO NOT EXPOSE WIRING TO EDGES OF SHEET METAL OR OTHER SHARP OBJECTS.**

**WARNING - LAMP CONTAINS A BUILT-IN LI-ION BATTERY AND MUST BE RECYCLED OR DISPOSED OF PROPERLY IN ACCORDANCE WITH LOCAL REQUIREMENTS.**

### **IMPORTANT**

**DO NOT MAKE OR ALTER ANY OPEN HOLES IN AN ENCLOSURE OF WIRING OR ELECTRICAL COMPONENTS DURING KIT INSTALLATION.**

**INSTALLATION OF THIS RETROFIT ASSEMBLY REQUIRES A PERSON FAMILIAR WITH THE CONSTRUCTION AND OPERATION OF FLUORESCENT LUMINAIRE ELECTRICAL SYSTEMS AND THE HAZARD INVOLVED.**

**DO NOT USE THIS EQUIPMENT FOR OTHER THAN ITS INTENDED USE. THE USE OF ACCESSORY EQUIPMENT NOT RECOMMENDED BY ALEDDRA MAY CAUSE AN UNSAFE CONDITION.**

**ONLY USE THE PROVIDED LAMP HOLDERS AND REWIRE TO LINE VOLTAGE. AFTER REWIRING, THE LUMINAIRE WILL NO LONGER OPERATE A FLUORESCENT LAMP.**

**THE LAMP IS INTENDED FOR USE IN DRY LOCATIONS ONLY. DO NOT USE OUTDOORS.**

**THIS PRODUCT MUST OPERATE AT A DEDICATED VOLTAGE OF 110 ~ 277VAC. ALWAYS TEST CIRCUITS BEFORE INSTALLATION WITH A VOLTAGE TESTER. STANDARD MAINS AND EMERGENCY MAINS MAY BE PROVIDED BY SEPARATE CIRCUITS.**

**NOTICE TO THE INSTALLER: PLEASE ADHERE THE ATTACHED LABEL WHERE VISIBLE DURING RELAMPING EITHER ON THE BALLAST TRAY OR ON REFLECTOR.**

**BEFORE REPLACING THE EXISTING FLUORESCENT TUBE, ALWAYS DISCONNECT THE POWER TO THE FIXTURE. THIS PRODUCT IS INTENDED TO USE WITH UL APPROVED LINEAR FIXTURES ONLY.**

#### **LIST OF COMPONENTS:**

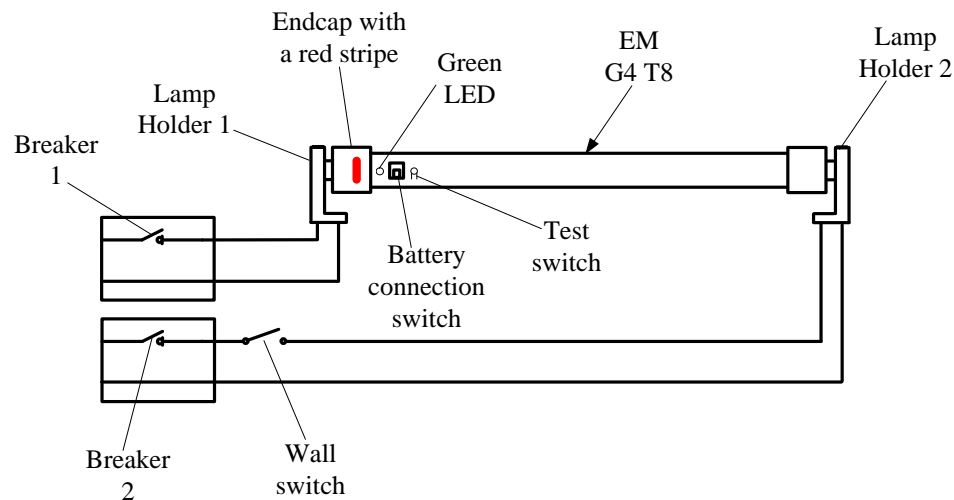
- EMERGENCY G4 LED T8 LAMP X 1 (ONE ENDCAP WITH A RED STRIPE)
- NON-SHUNTED LAMP HOLDER X 2 (ONE WITH A REGULAR ROTOR AND THE OTHER ONE WITH A RED ROTOR)
- INSTALLATION INSTRUCTIONS X 1
- THE LUMINAIRE WARNING LABEL X 1

### **INSTALLATION INSTRUCTIONS**

1. Disconnect power to the fixture.
2. Remove existing fluorescent tubes.
3. Remove ballast cover.
4. Cut all the wires to ballast and remove the ballast.
5. Remove existing lamp holders
6. Install the non-shunted lamp holders provided with the aleddra's emergency G4 LED T8 lamp retrofit kit into the fixture: Refer to wiring diagram in Fig. 1.
  - Connect lamp holder 1 with the red-rotor to EMERGENCY MAINS through circuit breaker 1, which will be "off" only during power outages.
  - Connect lamp holder 2 with the regular rotor to standard MAINS through circuit breaker 2, which is typically connected to a wall switch.

Rev. 5.0

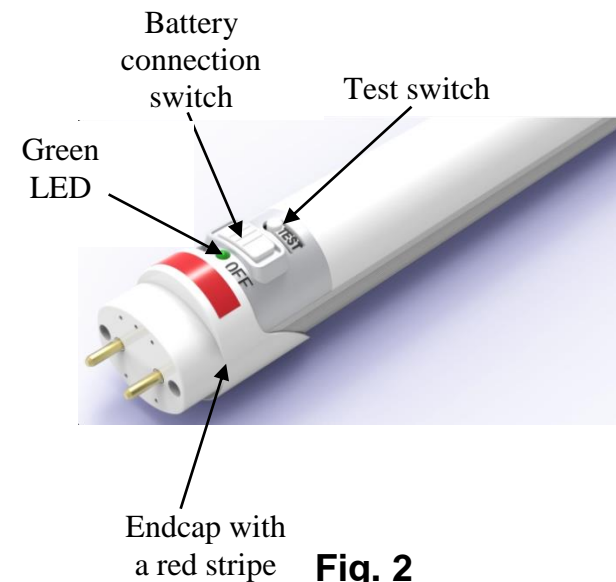
7. Reinstall the ballast cover.
8. **IMPORTANT:** Turn on a battery connection switch (see Fig. 2) near the endcap with the red stripe. The battery connection switch comes with a default "off" to prevent the built-in battery from being depleted and damaged. The lamp will be lighted in a dimmed light level powered by the built-in battery.
9. Install the lamp in the lamp holders, matching the endcap with the red stripe to the lamp holder with the red rotor (i.e. connect RED to RED). The lamp will have to be rotated to receive power.
10. Adhere the attached notice label to the reflector of the luminaire.
11. Turn on both the breaker 1 and the breaker 2 and allow for emergency and standard power to the fixture. The lamp should be lighted at full power. The green LED should be on to indicate normal AC MAINS exist.
12. **Regulatory compliance tests:** When installed on a fixture for 60 hours, the lamp will perform a preprogrammed auto-test for 30 sec monthly and for 90 min annually



**Fig. 1**

(see 14). Written records documenting the testing must be maintained and available for review by local fire departments.

13. **Manual test and system reset:** Allow the lamp on the fixture for 24 hours with EMERGENCY MAINS on. Press a test switch (TS) once within 3 seconds (see Fig. 2), the lamp will test for 30 sec. Press TS twice within 3 sec, the lamp will test for 90 min. If a built-in battery voltage is not sufficient, the green LED will flicker on for 1 sec and then off for 0.3 sec, continuing for 15 sec, to indicate that the manual test is prohibited (see 14). During the manual tests, press TS once to terminate. The original schedules of the preprogrammed auto-test will not be changed. If not responding, press and hold TS for 5 seconds to reset.
14. **Green LED indications:** During any of tests, the green LED will flicker on for 1 sec and then off for 3 sec. If tested normal, the green LED will continue on. If the lamp is tested abnormal, the green LED will flicker on for 0.5 sec and then off for 0.5 sec. Contact [Aledra](#) to replace the lamp.



**Fig. 2**